

FEATURES

- RGO Color display setting
- Multi-range input (T/C, RTD, Volt, mA, Etc)
- High accuracy 16bit A/D converter
- Peak hold function (Highest & Lowest)
- RS-485 Communication interface
- Alarm & Dead band set
- Isolation current output (DC 4.00~20.00mA) & Output scaling
- Hi/Low Limit function
- Sensor power source DC 24V in STD specification



Color Setting
 0 : Red(Manual)
 1 : Green(Auto)
 2 : Orange(Etc)

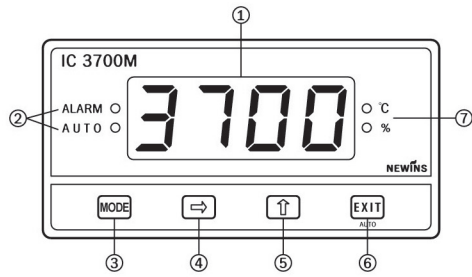
SPECIFICATIONS

- ▶ Display color : Red, Green, Orange
- ▶ Measuring and display cycle : 100ms(mV, Volt, mA type)
200ms(TC, RTD type)
- ▶ Input resistance : Volt-400kΩ
Others type-1MΩ
- ▶ Signal source resistance : Pt 100Ω type-30Ω/line
Others type-300Ω/line
- ▶ CMRR(Common Mode Rejection Ratio) : 140dB or more
- ▶ NMRR(Normal Mode Rejection Ratio) : 60dB or more
- ▶ Moving average filter : 4, 8, 16, 32, 64
- ▶ Built-in Sensor power source : DC 24V 30mA ±0.5%
- ▶ Accuracy : Display ±0.2% FS
- ▶ Isolation current output(Optional)
 - Current : DC 4.00~20.00mA
 - Maximum load resistance : 600Ω
 - Isolation resistance(Input-Output) : 100MΩ or more (DC 500V)
- ▶ Ambient temperature & Humidity
 - Operation : -10~50°C, 10~90%
 - Storage : -20~70°C, 5~95%

- ▶ Alarm(Optional)
 - Contact output type : Normal open (Normal close-Order made)
 - Max switching power : 60W 125VA
 - Max switching voltage : DC 220V, AC 250V
 - Max switching current : DC 2A, AC
 - Max Carrying current : DC 3A, AC
- ▶ Power supply
 - Voltage : AC 85~265V(45~65Hz)
DC 24V(Optional)
 - Power consumption : Max 4VA
 - Isolation resistance : 100MΩ, DC 500V (FG-Input, FG-Power, Power-Input, Input-Output)
- ▶ Communication interface(Optional)
 - Type : RS-485
 - Speed : 4800, 9600, 19200bps
 - ID(address) setting : 0~15
- ▶ Etc
 - Weight : 500g
 - Mounting : Panel mount
 - Dimension : 99(W) X 51(H) X 112(D)mm

A
B
C
D
E
F
G
H
I
J

PARTS NAME



- ① Measured value display : RGO Color
- ② Alarm condition display
- ③ **MODE** Key : Storage the set data and change the operation menu
- ④ **ENTER** Key : Enter into the data setting mode and modify the changed location
- ⑤ **UP** Key : Change the data value
- ⑥ **EXIT** Key : Out of mode
- ⑦ Unit

INPUT TYPE

Sensor Type	Range	Scale	Symbol	
TC	B(PR)	0~1800°C	-	ℓℓ-b
	R(PR)	0~1750°C	-	ℓℓ-r
	S(PR)	0~1750°C	-	ℓℓ-S
	K(CA)	-200~1350°C	-	ℓℓ-ℓ
	E(CRC)	-199.9~700.0°C	-	ℓℓ-E
	J(IC)	-199.9~800.0°C	-	ℓℓ-J
T(CC)	-199.9~400.0°C	-	ℓℓ-t	
Volt	mV	-100.0~100.0mV	-1999~9999	ñω
	Volt	-1.000~1.000V	-1999~9999	ιω
	Volt	-10.0~10.0V	-1999~9999	ιΩ
mA	mA	4.00~20.00mA	-1999~9999	ñR
PT	Pt100Ω	-199.9~800.0°C	-	d-Pℓ
	JPt100Ω	-199.9~500.0°C	-	J-Pℓ

MAJOR FUNCTIONS

▶ Auto/Manual function

If **EXIT** key presses about 2 seconds, Auto, Manual Lamp is lighted up and (Auto Light Emitting Diode) it becomes transmission output(4.00~20.00mA) according to sensor input.

Auto Light Emitting Diode a black-out.

EXIT key if press about 2 seconds Auto/Manual function change.

Auto "●" (Initial value display green color)

It becomes transmission output(4.00~20.00mA) therefore to input sensor.

Auto "○" (Initial value display red color)

If presses **EXIT** key and changes by manual mode, it becomes transmission output therefore to up & down key that present value.

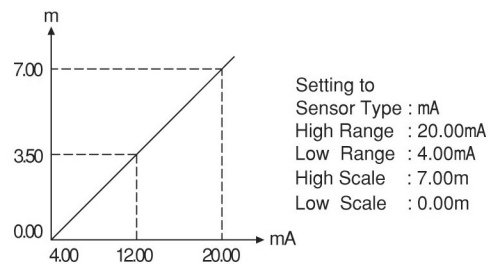
Change by auto again **EXIT** key if press about 2 seconds Auto Light Emitting Diode Lamp be lighting a candle measure and is changed(bump less function) by Auto value slowly on present manual value.

※ Color alteration RGO display color setting reference desire.

▶ Display scaling function(mV, Volt, mA only)

This function changes and sets the display value according to scale and input range.

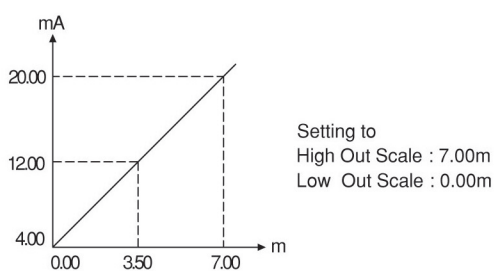
Ex) In case of input range 4.00~20.00mA and Level 0.00~7.00m



▶ Output scaling function

This function can change the 4.00~20.00mA value as the output scale.

Ex) In case of display value 0.00~7.00m, Output 4.00~20.00mA



▶ Sensor compensation function

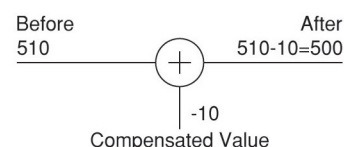
The function is useful for compensating error by long sensor line or changed zero point by aged sensor.

Ex) Before sensor adjust = 510 °C

After sensor adjust

= measured value + compensated value

= 510 - 10 = 500 °C



3색 멀티 지시 경보계

RG0 AUTO/MANUAL MULTI INDICATOR WITH ALARM

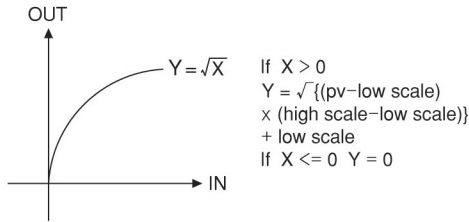
▷ Function(mV, Volt, mA type)

Lin

Pass the input as it is.
Used for general input type and linearity input.

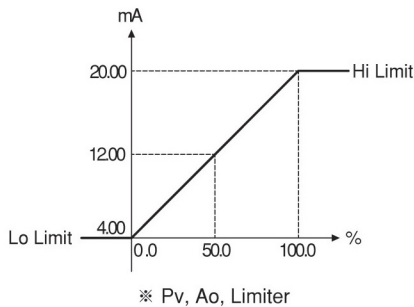
root

Pass the input after $\sqrt{\quad}$. Used for flow rate by orifice.



Limit

Like level measuring, when it does not display measuring under zero(span), it always can display zero(span) by using limit function.



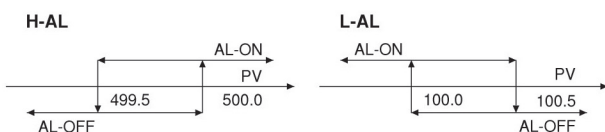
▷ Alarm function

Alarm type : High, Low
The alarm consists of 4 relays, and it can output relay contact output individually.

Ex) AL-1 : High alarm value 500.0,
AL-2 : Low alarm value 100.0,
Alarm dead band setting 0.5

The high alarm(AL-1) is ON when the present value(PV) is 500.0 or more, and OFF when 499.5 or less.

The low alarm(AL-2) is OFF when the present value(PV) is 100.5 or more, and ON when 100.0 or less.



▷ Unit function(mV, Volt type only)

Customer is mode(°C, %, None)
Selection that wish to do limit LED.

▷ Peak hold function

Peak mode 0 High peak mode

Remember the highest input value and display the highest value when pressing the key.

Peak mode 1 Low peak mode

Remember the lowest input value and display the lowest value when pressing the key.

Peak mode 2 High peak & Display mode

Remember the highest input value, display the highest value in ordinary times, and output the highest transmit output.

Peak mode 3 Low peak & Display mode

Remember the lowest input value, display the lowest value in ordinary times, and output the lowest transmit output.

▷ Filter function

Filter is moving average filter and it has 6 kinds of function.

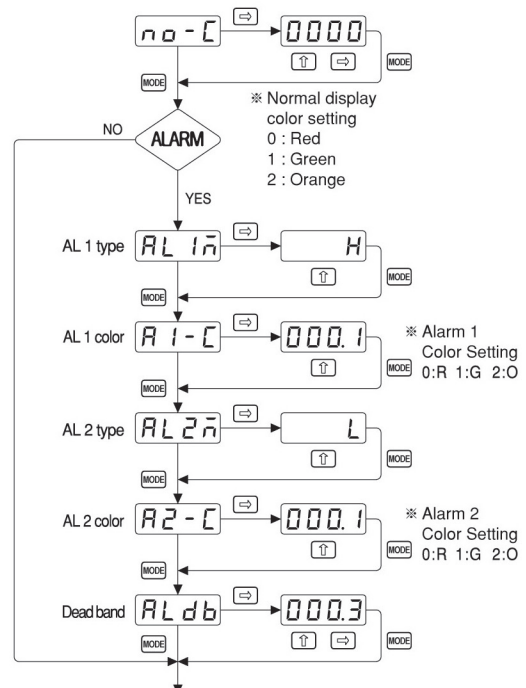
none

It displays the change of input without filter.

A_v 4, 8, 16, 32, 64

It displays in recent input No 4,8,16,32,64 sample average.
Setting filter function delays reponse.
Do not use filter when high speed response is needed.
When output and display value are changed by irregular input, it is possible to get regular input and display value by using filter function.

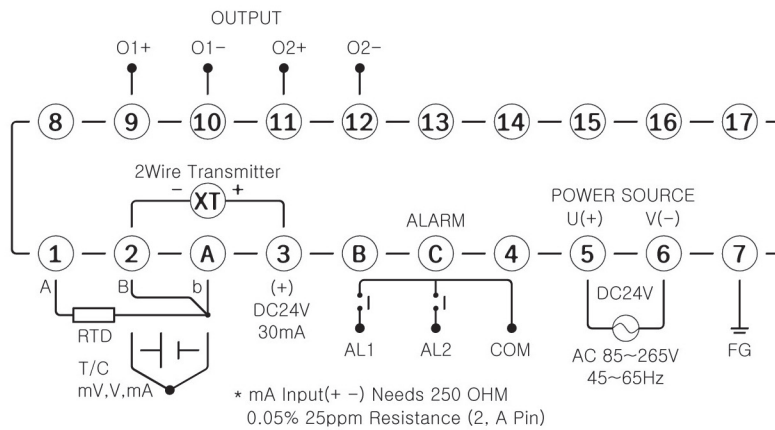
RG0 DISPLAY COLOR SETTING



ORDERING CODE

IC 37				M	Description
Type	1				Indicator
	2				Indicator with 2Alarm
Analog output	0				None
	1				DC 4.00~20.00mA
	2				DC 4.00~20.00mA (2 Output)
	3				Etc
Power				0	AC 85~265V(45~65Hz)
				1	Etc
Interface				0	None
				1	RS-485
				2	Etc

TERMINAL DIAGRAM



DIMENSION & PANEL CUT

