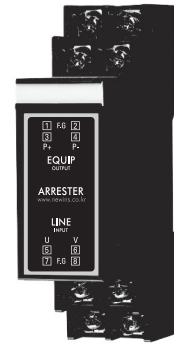


통신용 낙뢰 보호기

LAN, RS-485, 422 LINE USE ARRESTER

NA-CL

lighting Arrester is designed specifically for LAN, RS422, RS485. It absorbs lightning surges entering through twisted pair cables linking each through twisted pair cables linking each Comm-device and protects it.



GENERAL SPECIFICATION

Wiring : DIN Terminals  
 Housing : Plastic  
 Mounting : DIN rail Mount

SPECIFICATIONS

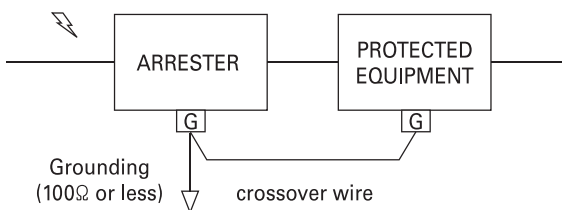
Discharge Voltage : between line :  $\pm 15V$   
 between line & ground : 255~500V  
 Max. Surge Voltage :  $\pm 40V$  Max (between lines)  
 Response Time : 0.1  $\mu$  sec or less  
 Discharge Current : 10/20/40KA(8X20  $\mu$  sec)  
 Max. Load Current : 100mA  
 Internal Series Resistance : Approx. 4 $\Omega$ (including return)  
 Max. Line Voltage : 30V  
 Permissible Leakage Current : between line : 20  $\mu$ A or less(at  $\pm 15V$ )  
 between line & ground : 10  $\mu$ A or less(at 140V DC)  
 Capacity between lines : approx 5pF  
 Capacity between ground : approx 30pF

INSTALLATION

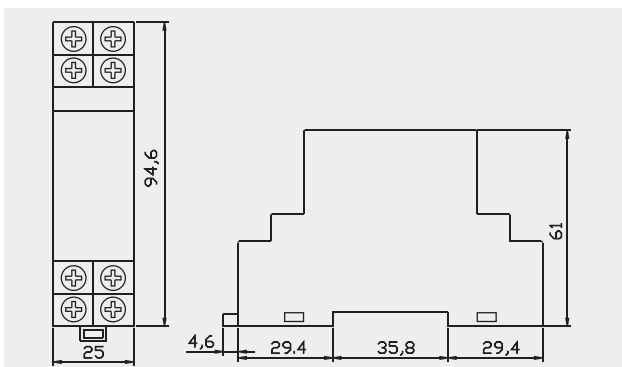
Operating Temperature : -10 ~ 70 $^{\circ}C$   
 Operating Humidity : 90% RH Max(non-condensing)

GROUNDING

A crossover wire between NA-CL ground or metallic housing of equipment is required for protection.



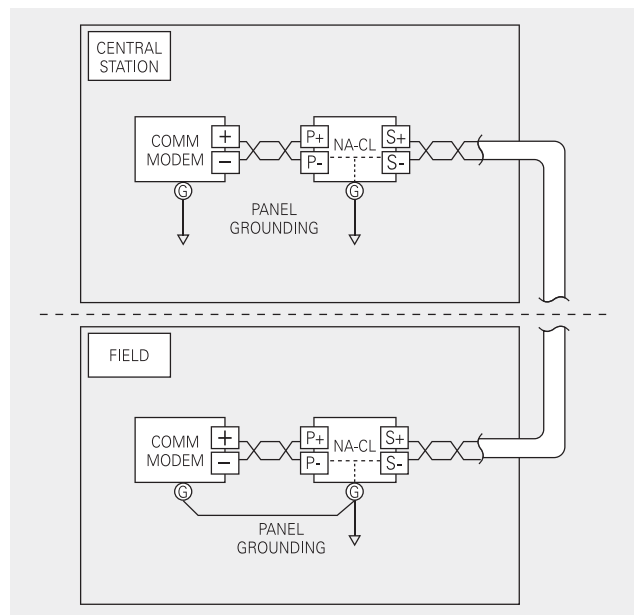
DIMENSION



ORDERING CODE SELECTION

MODEL : NA-CL □  
 DISCHARGE CURRENT ●  
 10 : 10KA  
 20 : 20KA  
 40 : 40KA

BLOCK DIAGRAM



SCHEMATIC CIRCUITRY

