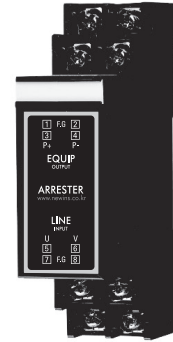


펄스 낙뢰 보호기

PULSE LINE USE ARRESTER

NA-PL

is designed specifically for Pulse signal line including 2-wire transmitter. It is designed not to fall in the short circuit condition, thus protection the equipment from any damage caused by short circuit. To protect both transmitters and panel instrumentation, two NA-PL should be used in every loop.



GENERAL SPECIFICATION

Wiring : DIN Terminals  
 Housing : Plastic  
 Mounting : DIN rail Mount

SPECIFICATIONS

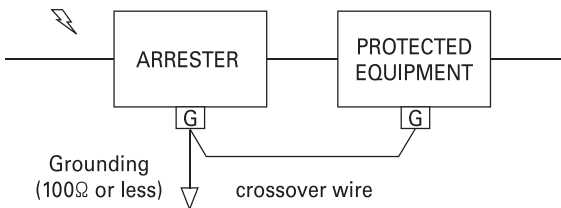
Discharge Voltage : between line : 14V or more  
 between line & ground : 500V or less  
 Max. Surge Voltage : 40V or less(between lines)  
 Response Time : 0.1 μsec or less  
 Discharge Current : 10/20/40KA(8X20 μsec)  
 Max. Load Current : 100mA  
 Internal Series Resistance : Approx. 10Ω(including return)  
 Max. Line Voltage : 14V  
 Permissible Leakage Current  
 between line : 5 μA or less(at 14V DC)  
 between line & ground : 5 μA or less(at 140V DC)

INSTALLATION

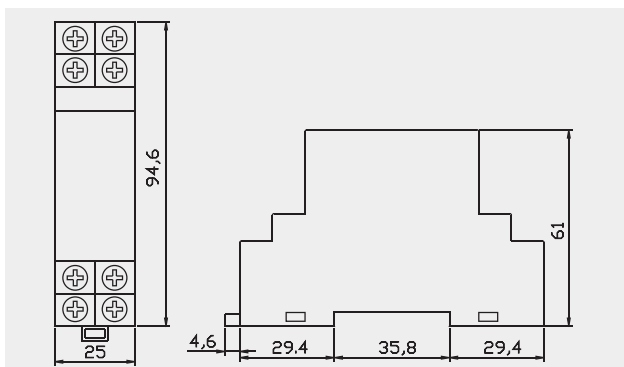
Operating Temperature : -10 ~ 70 °C  
 Operating Humidity : 90% RH Max(non-condensing)

GROUNDING

A crossover wire between NA-PL ground or metallic housing of equipment is required for protection.



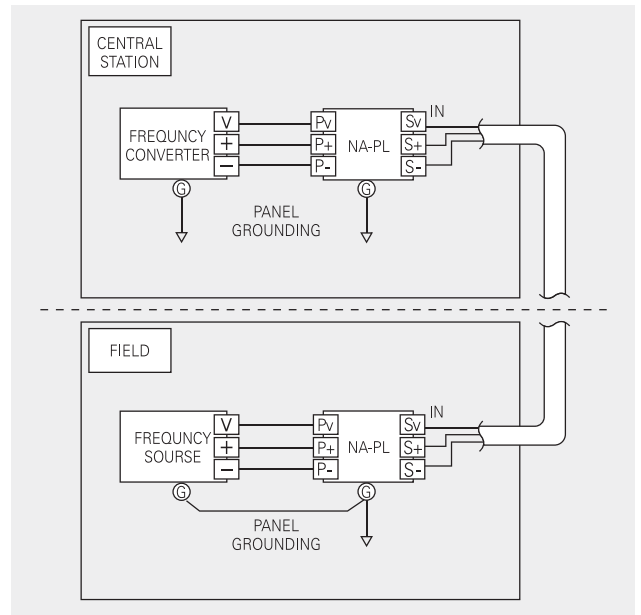
DIMENSION



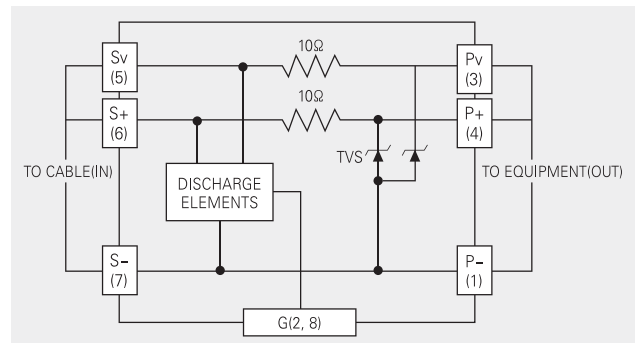
ORDERING CODE SELECTION

MODEL : NA-PL □  
 DISCHARGE CURRENT ●  
 10 : 10KA  
 20 : 20KA  
 40 : 40KA

BLOCK DIAGRAM



SCHEMATIC CIRCUITRY



A  
B  
C  
D  
E  
F  
G  
H  
I  
J