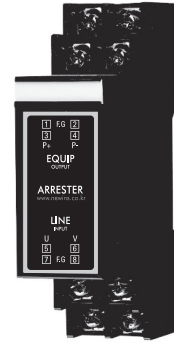


RTD 낙뢰 보호기

RTD SENSOR LINE USE ARRESTER

NA-RL

accepts RTD-sensor line and protects gauge from high-voltage.



GENERAL SPECIFICATION

- Wiring : DIN Terminals
- Housing : Plastic
- Mounting : DIN rail Mount

SPECIFICATIONS

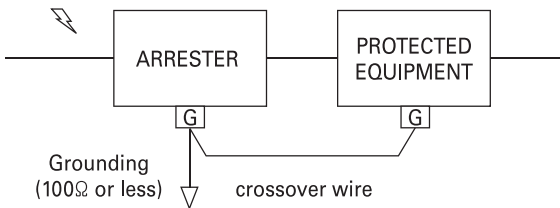
- Discharge Voltage : between line : 3V or more  
between line & ground : 500V or less
- Max. Surge Voltage : 16V or less (between lines)
- Response Time : 0.1 μsec or less
- Discharge Current : 10/20/40KA (8X20 μsec)
- Max. Load Current : 100mA
- Internal Series Resistance : Approx. 10Ω 0.1%
- Max. Line Voltage : 3V
- Permissible Leakage Current : between line : 2 μA or less (at 14V DC)  
between line & ground : 2 μA or less (at 140V DC)

INSTALLATION

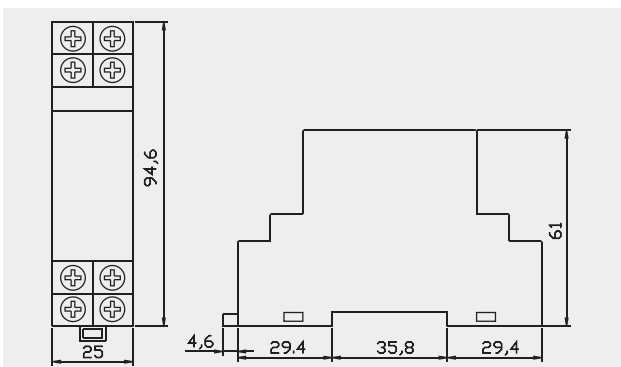
- Operating Temperature : -10 ~ 70°C
- Operating Humidity : 90% RH Max (non-condensing)

GROUNDING

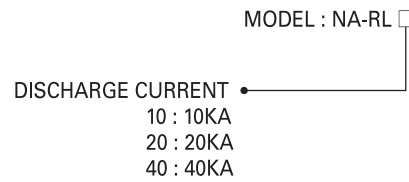
A crossover wire between NA-RL ground or metallic housing of equipment is required for protection.



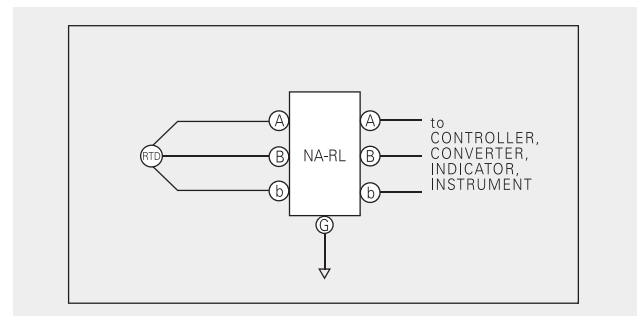
DIMENSION



ORDERING CODE SELECTION



LOCK DIAGRAM



SCHEMATIC CIRCUITRY

