

SUMMARY

NP-302 Series are composed of the internal and external stainless steel material.

It is suitable for pressure measurement in a place requiring the anti corrosion, wear resistance and durability.

Because it has a higher durability than the NP-302 Series can be guarantee the performance and life of the pressure gauge at the maximum.

Used in various field such as petrochemical plant.

It is a pressure gauge suitable for use in high dust, corrosion resistance, steam outdoors.



Model. NP-302-1(A)

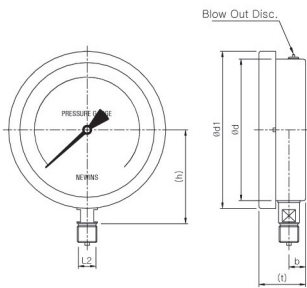
SPECIFICATIONS

- ▶ **Diameter** : 40, 50, 60, 75, 100, 150, and 200mm
- ▶ **Accuracy**
  - 40mm : ±3.0% of Full Scale
  - 50,60,75mm : ±1.5% of Full Scale
  - 100,150,200mm : ±1.0% of Full Scale
- ▶ **Scale Range** :
  - 40,50mm : 0.2~25 MPa
  - 60,75mm : -0.1~2 MPa -0.1~0 MPa 0~35 MPa
  - 100,150mm : -0.1~2 MPa -0.1~0 MPa 0~200 MPa
  - 200mm : -0.1~2 MPa -0.1~0 MPa 0~100 MPa
- ▶ **Working Pressure** :
  - Static Pressure : 75% of Full Scale
  - Fluctuating Pressure : 60% of Full Scale
- ▶ **Working Temperature**
  - Ambient : -20~65°C
  - Fluid : -20~80°C
- ▶ **Pressure connection**
  - STS 316
- ▶ **Element**
  - STS 304, STS 316
  - C Type Bourdon Tube or Helical Tube
- ▶ **Case**
  - STS 304
- ▶ **Cover**
  - STS 304
  - Slip-on-Fit

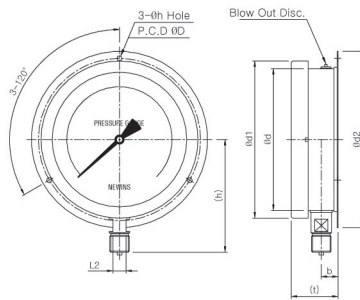
- ▶ **Window**
  - Safety Glass
- ▶ **Movement**
  - STS 304
- ▶ **Dial**
  - Aluminum
  - White Coating
- ▶ **Pointer**
  - Aluminum
  - Black Coating
- ▶ **Type** :
  - NP-302-1 (A:Rimless Type)
  - NP-302-2 (B:Surface Type)
  - NP-302-3 (D:Flush Mounting Type)
  - NP-302-4 (BD:Panel attachment Type)
- ▶ **Process connection** :
  - 40mm : 1/8" PT & NPT, PF
  - 50mm : 1/8", 1/4" PT & NPT, PF
  - 60mm : UNF 7/16, 1/8", 1/4" PT & NPT, PF
  - 75mm : UNF 7/16, 1/4", 3/8", PT & NPT, PF
  - 100mm : UNF 7/16, 1/4", 3/8", 1/2" PT & NPT, PF
  - 150mm : UNF 7/16, 1/4", 3/8", 1/2" PT & NPT, PF
  - 200mm : 1/4", 3/8", 1/2" PT & NPT, PF
- ▶ **Option** :
  - Blow out protection on the Top Rubber Disc
  - Bracket, Throttles, Accessories

A  
B  
C  
D  
E  
F  
G  
H  
I  
J

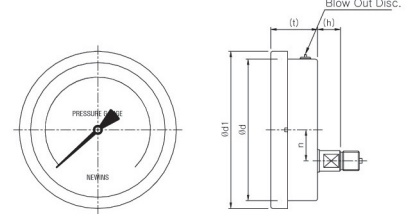
DIMENSION



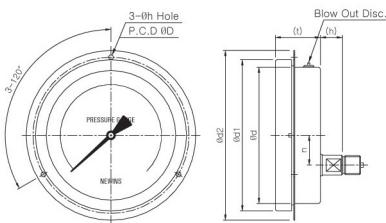
Model. NP-302-1(A)



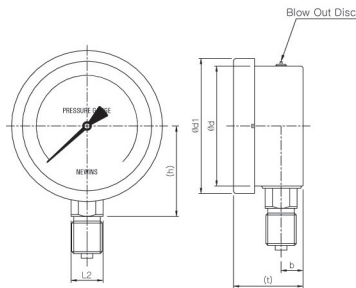
Model. NP-302-2(B)



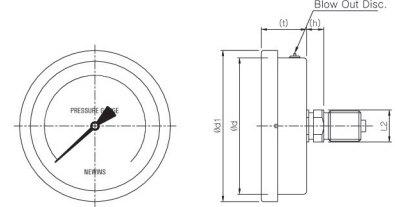
Model. NP-302-3(D)



Model. NP-302-4(BD)



Model. NP-302-1(AS)



Model. NP-302-3(DS)

STANDARD SPECIFICATIONS

Dimensions(mm)											
Dial	Model No.	∅d	∅d1	∅d2	b	n	t	L2	h	∅h	∅D
40	NP-302-1(AS)	41	46.2	-	7.5	-	(26.5)	12	(26.5)	-	-
	NP-302-3(DS)			-	-	(7.5)					
50	NP-302-1(AS)	51.7	58.2	-	9.5	-	(30)	14	(35.5)	-	-
	NP-302-3(DS)			-	-	(7.5)					
60	NP-302-1(A)/2(B)	64	72	84	12	-	(39)	12	(48)	4.5	72
	NP-302-3(D)/4(BD)			90	-	17			(20)		81
75	NP-302-1(A)/2(B)	77	87	100	14	-	(40)	14	(54)	4.5	88
	NP-302-3(D)/4(BD)			107	-	22			(17)		97
100	NP-302-1(A)/2(B)	100	114	128	17	-	(46)	17	(76)	5.5	115
	NP-302-3(D)/4(BD)			135	-	33			(26)		120
150	NP-302-1(A)/2(B)	152	168	188	17	-	(50)	17	(100)	5.5	174
	NP-302-3(D)/4(BD)			-	33	(26)					
200	NP-302-2(B)	208	220	250	20	-	(58)	17	(130)	5.5	235
	NP-302-4(BD)				33	(126)					