

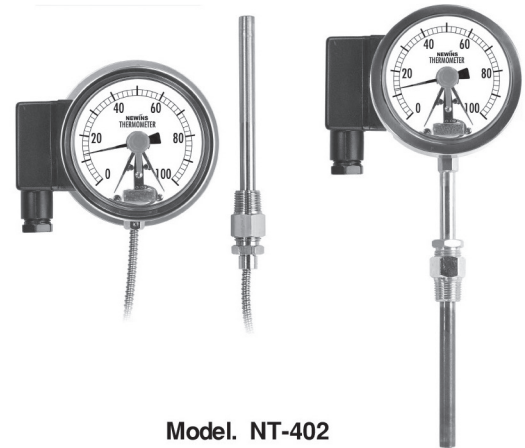
SUMMARY

The principles and structures of the temperature measurement of the NT-402 is the same as the pressure type thermometer.

Install upper and lower limit needle, to generate the contact signal at the time of rising, falling of temperature.

Used in various temperature control, various boiler, electric transformer.

Please install the well as possible. Be careful when you connect to the rated voltage.



Model. NT-402

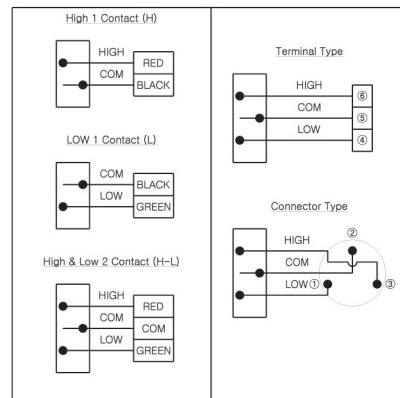
SPECIFICATIONS

- ▶ **Diameter** : 100,150mm
- ▶ **Accuracy**
100,150mm : ±2.0% of Full Scale
- ▶ **Scale Range** :
100,150mm : -30~650 °C
- ▶ **Common Temperature** :
75% of Full Scale
- ▶ **Pressure connection** :
STS 304, ,STS 316
- ▶ **Case, Cover**
STS 304
- ▶ **Window**
Poly Carbonate
- ▶ **Dial**
Aluminum
White Coating
- ▶ **Pointer**
Phosphor Bronze
Black Coating
- ▶ **Well**
STS 304
Titanium, Monel, Hastelloy
Teflon Lining, Glass Lining
- ▶ **Type** :
NT-402-1 (Direct Rimless Type)
NT-402-2 (Capillary Surface Type)
NT-402-3 (Direct Flush Mounting Type)
NT-402-4 (Capillary Panel attachment Type)
- ▶ **Process connection** :
100mm : 1/2" PT & NPT, PF
150mm : 1/2" PT & NPT, PF
- ▶ **Capillary Tube** :
Standard 2M (Maximum 10M)

- ▶ **Stem Out Dia** :
∅8, ∅10, ∅12 / STS 304, STS 316
- ▶ **Contact Rating** :
AC 125V 0.5A / 250V 0.25A
- ▶ **Contact Type** :
High and Low 2 Contact
(High or Low, High & High,
High & Low, Low & Low)
- ▶ **Standard Scale Range & Stem Length**

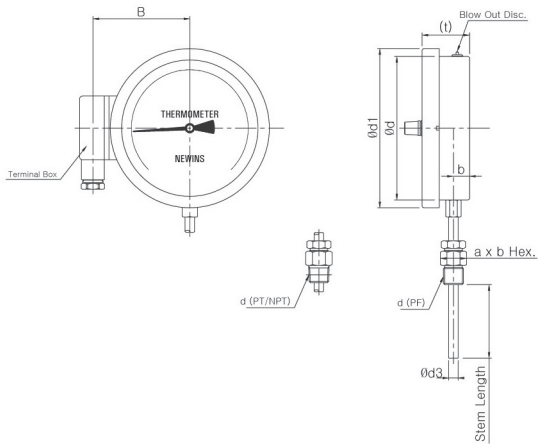
Scale Range	Stem Length (mm)		
	∅8	∅10	∅12
-20 ~ 80	50	60	50
-20 ~ 100	50	60	50
0 ~ 50	83	60	50
0 ~ 80	50	60	50
0 ~ 100	50	60	50
0 ~ 120	50	60	50
0 ~ 150	50	60	50
0 ~ 200	50	60	50
0 ~ 250	50	60	50
0 ~ 300	50	60	50
0 ~ 350	75	53	50
0 ~ 400	70	53	48
0 ~ 500	62	48	44
0 ~ 650	55	45	42

▶ **Connection Diagram**

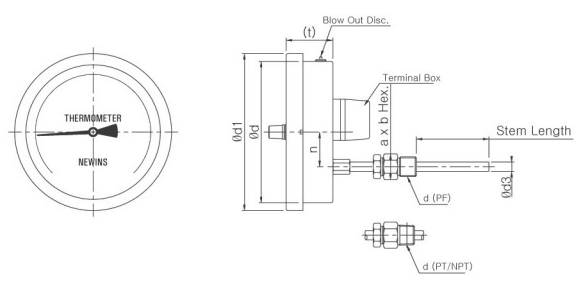


A
B
C
D
E
F
G
H
I
J

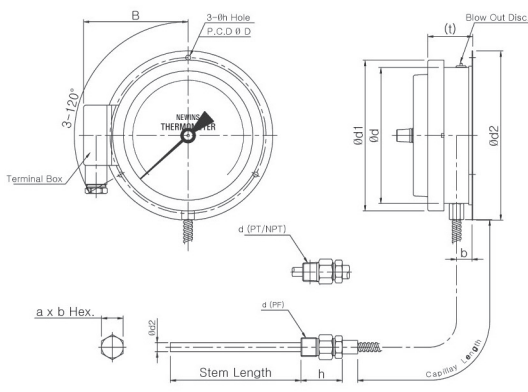
DIMENSION



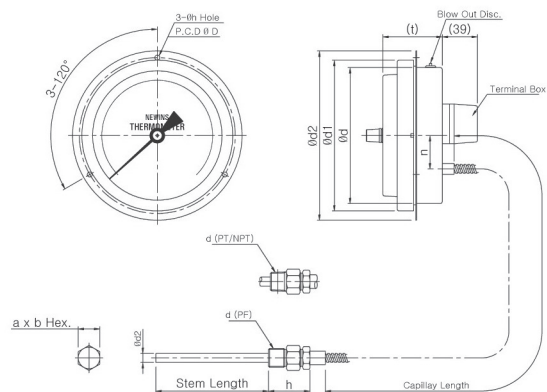
Model. NT-402-1(A)



Model. NT-402-3(D)



Model. NT-402-2(B)



Model. NT-402-4(BD)

STANDARD SPECIFICATIONS

Dimensions (mm)

Dial	Model No.	Connection (d)	Ød	Ød1	Ød2	Ød3	b	n	t	h	Øh	ØD	a x b	Length			
														Stem	CAP'		
100	NT-402-2	PF 1/2	100	114	128	8	17	-	(56)	(50)	5.5	115	24 x (27.7)	50	2000		
	NT-402-1	PT & NPT 1/2			135		-			37						(48)	120
	NT-402-4	PF 1/2			-		17			-						(50)	-
	NT-402-3	PT & NPT 1/2			-		-			37						(48)	-
150	NT-402-2	PF 1/2	156	170	188	8	17	-	(66)	(50)	5.5	173	24 x (27.7)	1000	10000		
	NT-402-1	PT & NPT 1/2			-		-			37						(48)	-
	NT-402-4	PF 1/2			-		17			-						(50)	-
	NT-402-3	PT & NPT 1/2			-		-			37						(48)	-