

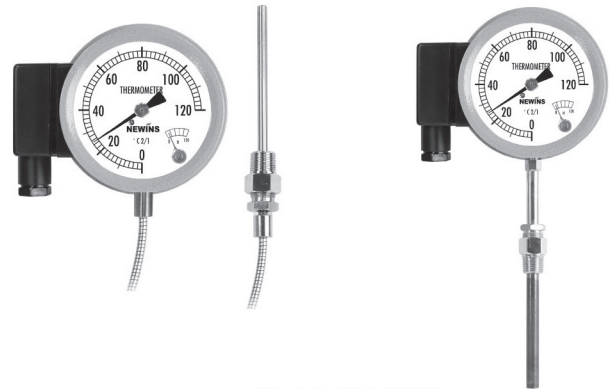
SUMMARY

The principles and structures of the temperature measurement of the NT-402M is the same as the pressure type thermometer.

Install upper and lower limit needle, to generate the contact signal at the time of rising, falling of temperature.

Used in various temperature control, various boiler, electric transformer,

Please install the well as possible. Be careful when you connect to the rated voltage.



Model. NT-402M

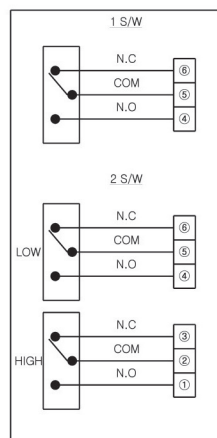
SPECIFICATIONS

- ▶ **Diameter** : 100,150mm
- ▶ **Accuracy**
Grade : ±2.0% of Full Scale
Repeatability : ±1.0% of Adj Range
Dead Band : ±4.0%
- ▶ **Scale Range** :
100,150mm : -30~650 °C
- ▶ **Common Temperature** :
75% of Full Scale
- ▶ **Pressure connection** :
STS 304, ,STS 316
- ▶ **Case, Cover**
Aluminum(Hammer Tone Coating)
- ▶ **Window**
General Glass
Safety Glass
- ▶ **Dial**
Aluminum
White Coating
- ▶ **Pointer**
Phosphor Bronze
Black Coating
- ▶ **Well**
STS 304
Titanium, Monel, Hastelloy
Teflon Lining, Glass Lining
- ▶ **Type** :
NT-402M-1 (Direct Rimless Type)
NT-402M-2 (Capillary Surface Type)
NT-402M-3 (Direct Flush Mounting Type)
NT-402M-4 (Capillary Panel attachment Type)
- ▶ **Process connection** :
100mm : 1/2" PT & NPT, PF
150mm : 1/2" PT & NPT, PF

- ▶ **Capillary Tube** :
Standard 2m (Maximum 10m)
- ▶ **Stem Out Dia** :
ø8, ø10, ø12 / STS 304, STS 316
- ▶ **Contact Rating** :
AC 125V 5A / 250V 3A
- ▶ **Contact Type** :
High and Low 2 Contact
(High or Low, High & High,
High & Low, Low & Low)
- ▶ **Standard Scale Range & Stem Length**

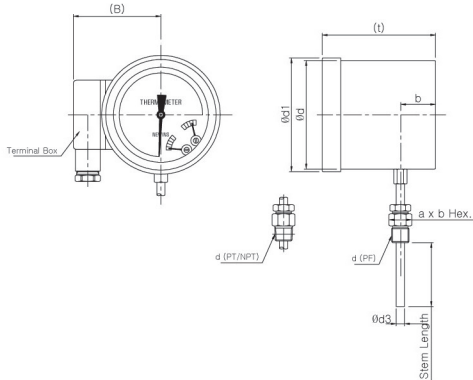
Scale Range	Stem Length (mm)		
	ø8	ø10	ø12
-20 ~ 80	50	60	50
-20 ~ 100	50	60	50
0 ~ 50	83	60	50
0 ~ 80	50	60	50
0 ~ 100	50	60	50
0 ~ 120	50	60	50
0 ~ 150	50	60	50
0 ~ 200	50	60	50
0 ~ 250	50	60	50
0 ~ 300	50	60	50
0 ~ 350	75	53	50
0 ~ 400	70	53	48
0 ~ 500	62	48	44
0 ~ 650	55	45	42

▶ **Connection Diagram**

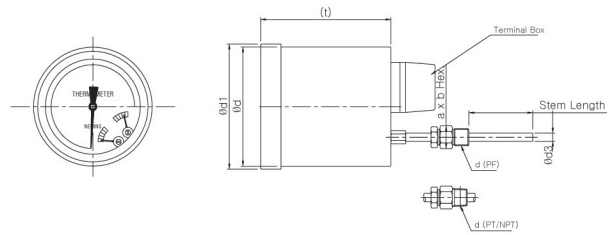


A
B
C
D
E
F
G
H
I
J

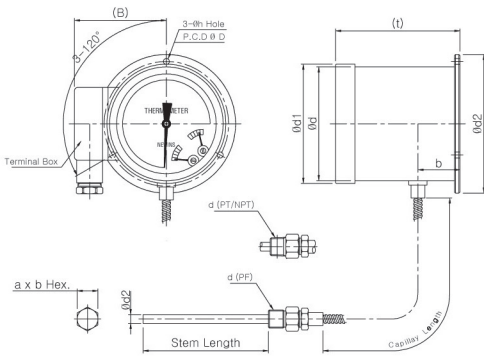
DIMENSION



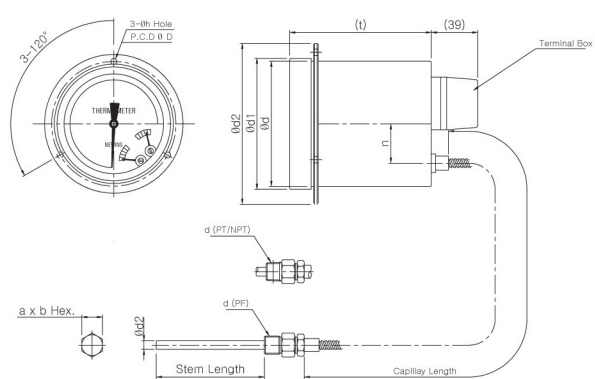
Model. NT-402M-1(A)



Model. NT-402M-3(D)



Model. NT-402M-2(B)



Model. NT-402M-4(BD)

STANDARD SPECIFICATIONS

Dial	Model No.	Connection (d)	Ø d	Ø d1	Ø d2	Ø d3	B	b	n	t	h	Ø h	Ø D	a x b	Length		
															Stem	CAP*	
100	NT-402M-2	PF 1/2	105	110	128	8	(85)	43	-	(115)	(50)	5.5	115	24 x (27.7)	50 ~ 1000	2000 ~ 10000	
	NT-402M-1	PT & NPT 1/2			135		-	-	33		(48)		120				
	NT-402M-4	PF 1/2			-		(85)	43	-		(50)		-				-
	NT-402M-3	PT & NPT 1/2			-		-	-	33		(48)		-				-
150	NT-402M-2	PF 1/2	156	170	190	8	(116)	43	-	(115)	(50)	5.5	174	24 x (27.7)	50 ~ 1000	2000 ~ 10000	
	NT-402M-1	PT & NPT 1/2			200		-	-	37		(48)		185				
	NT-402M-4	PF 1/2			-		(116)	43	-		(50)		-				-
	NT-402M-3	PT & NPT 1/2			-		-	-	37		(48)		-				-