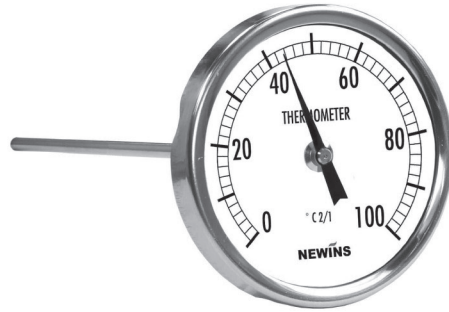


**SUMMARY**

NT-404T Series is a joint of the two metal plates of different coefficient. of expansion.

Structure is simple and easy to handle and easy to read the gradation at measurements.

Used in measurement temperature of food processor, hygiene or various plant.



Model. NT-404T

**SPECIFICATIONS**

- ▶ **Diameter** : 75,100,125,150mm
- ▶ **Accuracy**  
75,100,125,150mm : ±2.0% of Full Scale
- ▶ **Scale Range** :  
75,100,125,150mm : -30~600°C
- ▶ **Common Temperature** :  
75% of Full Scale
- ▶ **Pressure connection** :  
STS 304
- ▶ **Case, Cover**  
STS 304
- ▶ **Window**  
General Glass  
Safety Glass
- ▶ **Dial**  
Aluminum  
White Coating
- ▶ **Pointer**  
Aluminum  
Black Coating
- ▶ **Well**  
STS 304  
Titanium, Monel, Hastelloy  
Teflon Lining, Glass Lining

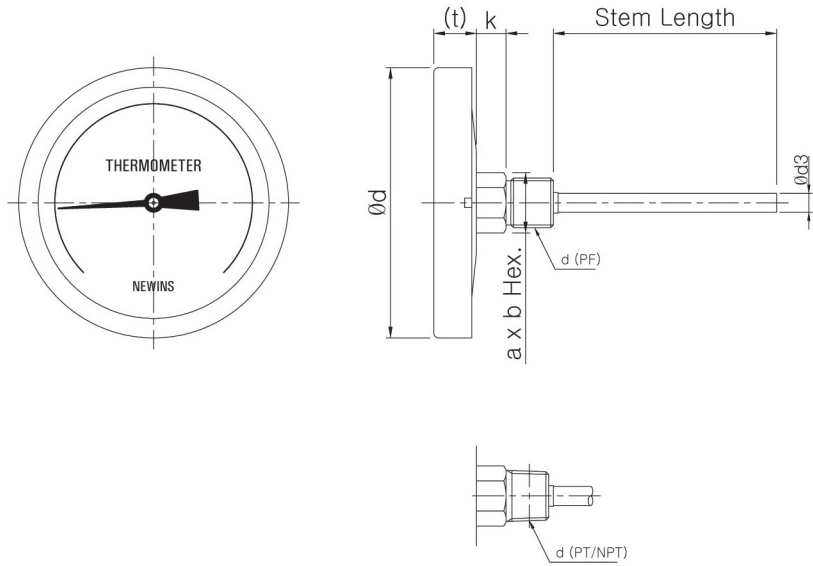
- ▶ **Type** :  
NT-404T-1 (75mm Direct Type)  
NT-404T-2 (100mm Direct Type)  
NT-404T-3 (125mm Direct Type)  
NT-404T-4 (150mm Direct Type)
- ▶ **Process connection** :  
75mm : 1/4", 3/8", 1/2", 3/4" PT & NPT, PF  
100mm : 1/4", 3/8", 1/2", 3/4",1" PT & NPT, PF  
125mm : 1/4", 3/8", 1/2", 3/4",1" PT & NPT, PF  
150mm : 1/4", 3/8", 1/2", 3/4",1" PT & NPT, PF
- ▶ **Stem Out Dia** :  
Ø6.4,Ø8,Ø10,Ø12 / STS 304, STS 316

▶ **Standard Scale Range & Stem Length**

Scale Range(°C)	Stem Length (mm)
-20 ~ 80	50
-20 ~ 100	50
0 ~ 50	75
0 ~ 80	50
0 ~ 100	50
0 ~ 120	50
0 ~ 150	45
0 ~ 200	40
0 ~ 250	35
0 ~ 300	75
0 ~ 350	65
0 ~ 400	60
0 ~ 500	60
0 ~ 600	60

A  
B  
C  
D  
E  
F  
G  
H  
I  
J

DIMENSION



Model. NT-404T-1

STANDARD SPECIFICATIONS

Dimensions (mm)

Dial	Model No.	Connection (d)	$\varnothing d$	$\varnothing d3$	t	k	a x b
75	NT-404T-1	PF & PT & NPT 1/4	87	6.4, 8	(18)	8	17 x (19.6)
		PF & PT & NPT 3/8		6.4, 8, 10		10	19 x (21.9)
		PF & PT & NPT 1/2		6.4, 8, 10, 12		12	22 x (25.4)
		PF & PT & NPT 3/4		6.4, 8, 10, 12		14	27 x (31.1)
100	NT-404T-2	PF & PT & NPT 1/4	114	6.4, 8	(18)	8	17 x (19.6)
		PF & PT & NPT 3/8		6.4, 8, 10		10	19 x (21.9)
		PF & PT & NPT 1/2		6.4, 8, 10, 12		12	22 x (25.4)
		PF & PT & NPT 3/4		6.4, 8, 10, 12		14	27 x (31.1)
		PF & PT & NPT 1		6.4, 8, 10, 12		16	36 x (41.5)
125	NT-404T-3	PF & PT & NPT 1/4	128	6.4, 8	(18)	18	17 x (19.6)
		PF & PT & NPT 3/8		6.4, 8, 10		20	19 x (21.9)
		PF & PT & NPT 1/2		6.4, 8, 10, 12		22	22 x (25.4)
		PF & PT & NPT 3/4		6.4, 8, 10, 12		24	27 x (31.1)
		PF & PT & NPT 1		6.4, 8, 10, 12		26	36 x (41.5)
150	NT-404T-4	PF & PT & NPT 1/4	174	6.4, 8	(27)	18	17 x (19.6)
		PF & PT & NPT 3/8		6.4, 8, 10		20	19 x (21.9)
		PF & PT & NPT 1/2		6.4, 8, 10, 12		22	22 x (25.4)
		PF & PT & NPT 3/4		6.4, 8, 10, 12		24	27 x (31.1)
		PF & PT & NPT 1		6.4, 8, 10, 12		26	36 x (41.5)