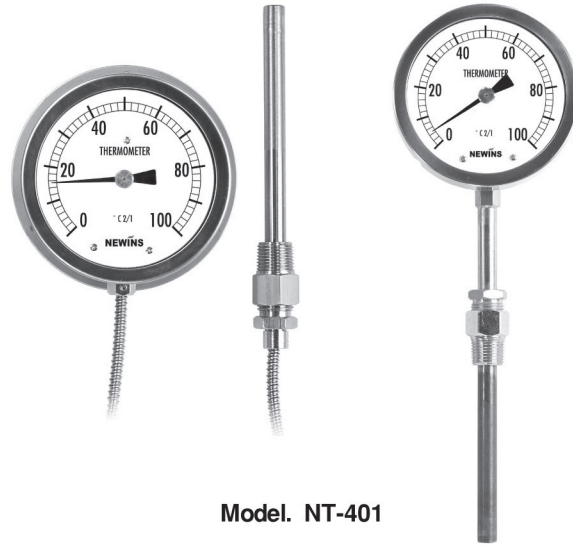


**SUMMARY**

NT-400 Series is divided into a gradation spacing equally. Easy to read graduations at the temperature measurement. The instruction is clear, because greater driving force. It is widely used as industrial because the temperature transfer speed is fast.

Used in various boiler, petrochemistry factory, Measuring the temperature inside the tank, LPG/LNG gas line, ect.

Please install the well as possible.



Model. NT-401

**SPECIFICATIONS**

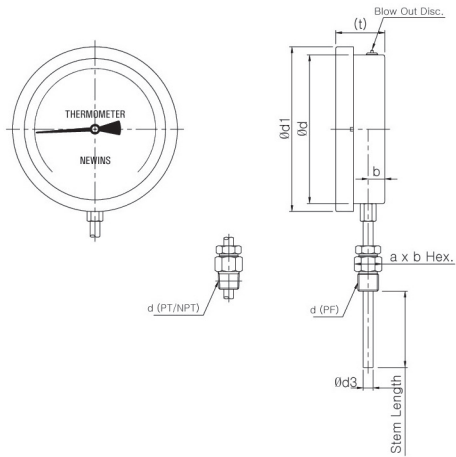
- ▶ **Diameter** : 100,150mm
- ▶ **Accuracy**  
100,150mm : ±2.0 of Full Scale
- ▶ **Scale Range** :  
100,150mm : -30~650°C
- ▶ **Common Temperature** :  
75% of Full Scale
- ▶ **Pressure connection** :  
STS 316
- ▶ **Case**  
STS 304
- ▶ **Cover**  
STS 304  
Slip-on-Fit
- ▶ **Window**  
Safety Glass  
General Glass
- ▶ **Dial**  
Aluminum  
White Coating
- ▶ **Pointer**  
Aluminum  
Black Coating
- ▶ **Type** :  
NT-401-1 (Direct Rimless Type)  
NT-401-2 (Capillary Surface Type)  
NT-401-3 (Direct Flush Mounting Type)  
NT-401-4 (Capillary Panel attachment Type)

- ▶ **Process connection** :  
100mm : 1/2" PT & NPT, PF  
150mm : 1/2" PT & NPT, PF
- ▶ **Capillary Tube** :  
Standard 2M (Maximum 10M)
- ▶ **Stem Out Dia** :  
ø8, ø10, ø12 / STS 304, STS 316
- ▶ **Well**  
STS 304  
Titanium, Monel, Hastelloy  
Teflon Lining, Glass Lining
- ▶ **Standard Scale Range & Stem Length**

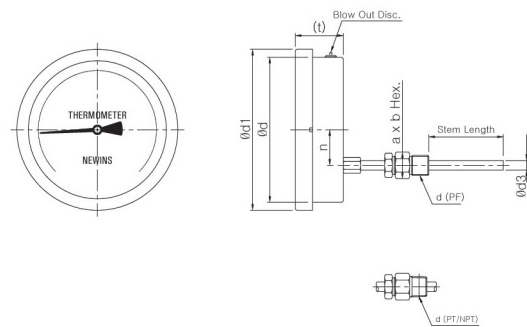
Scale Range	Stem Length (mm)		
	ø8	ø10	ø12
-20~80	50	60	50
-20~100	50	60	50
0~50	83	60	50
0~80	50	60	50
0~100	50	60	50
0~120	50	60	50
0~150	50	60	50
0~200	50	60	50
0~250	50	60	50
0~300	50	60	50
0~350	75	53	50
0~400	70	53	48
0~500	62	48	44
0~650	55	45	42

A  
B  
C  
D  
E  
F  
G  
H  
I  
J

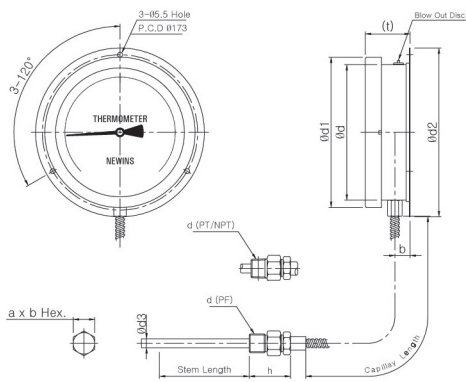
DIMENSION



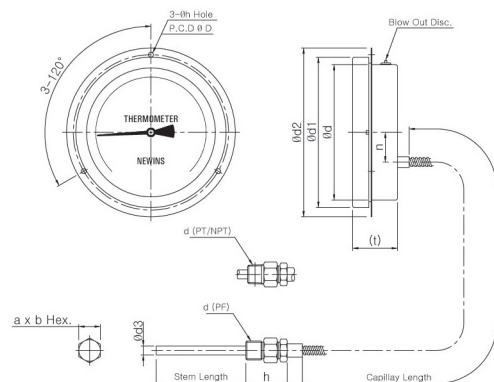
Model. NT-401-1(A)



Model. NT-401-3(D)



Model. NT-401-2(B)



Model. NT-401-4(BD)

STANDARD SPECIFICATIONS

Dial	Model No.	Connection (d)	ø d	ø d1	ø d2	ø d3	b	n	t	h	ø h	ø D	a x b	Dimensions (mm)		
														Length		
														Stem	CAP*	
100	NT-401-2	PF 1/2	100	114	128	8	17	-	(46)	(50)	5.5	115	24 x (27.7)	50	2000	
	NT-401-1	PT & NPT 1/2			135		-			37		(48)				120
	NT-401-4	PF 1/2			-		17			-		(50)				-
	NT-401-3	PT & NPT 1/2			-		-			37		(48)				-
150	NT-401-2	PF 1/2	156	170	188	8	17	-	(50)	(50)	5.5	173	24 x (27.7)	1000	10000	
	NT-401-1	PT & NPT 1/2			-		-			37		(48)				-
	NT-401-4	PF 1/2			-		17			-		(50)				-
	NT-401-3	PT & NPT 1/2			-		-			37		(48)				-